

# XRF-R.1

Part No. 407688

DATASHEET

Receiver to wireless transmission system of ExpertSystem

## Receiver with one safety output

### Mechanical data

Dimensions	121 x 50 x 23 mm
Material (housing)	ASA light grey
Terminals	8, push-in spring connection conductor cross section 0.25 – 0.75 mm <sup>2</sup>
Cable strain relief	Built in (for cable-Ø 3.1 to 5.2 mm)
Weight in gr	180

### Electrical data

Supply voltage	12-36 V ACDC, 48 – 62 Hz
Power consumption	0.6 W at 12 V, 0.7 W at 36 V
Test input (for Cat. 2 applications)	12-36 V ACDC, 5.5 mA at 24 V
Sensor memory	7 sensor elements
Output	2 relays 36 V ACDC, 1 A
Options	NO with parallel resistor 8,2 kOhm NC
Display	LED bicoloured (status output, programming)
Pushbutton	for pairing
Dip-switch (test input)	factory setting: OFF (= high active)

### In combination with XRF transmitters

Range in m	100 at optimum conditions
Reaction time	Typ. 15 ms
Communication	Bidirectional
Operating frequency	868.3 MHz
Radiated power	< 10 dbm / 10 mW
Low battery indication	Acoustic and optical (on the receiver)

### Approvals

EN 300 220, EN 301 489	
EN ISO 13849-1 (PLd, Cat.3, MTTFd 291)	Add. test input for Cat. 2 applications

### Ambient conditions

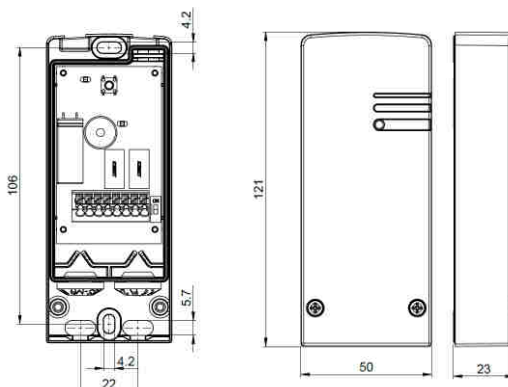
Protection category	IP65
Operating temperature	-20°C to +60°C
Storage temperature	-40°C to +80°C
Rel. air humidity	< 95%, non-condensing



### Box content

Receiver, 6 instruction manuals (DE, EN, FR, IT, NL, SV), mounting material

### Dimensions



# XRF-T.2

Part No. 407666

DATASHEET

Transmitter to wireless transmission system of ExpertSystem

## Transmitter with two programmable inputs for safety edges

### Mechanical data

Dimensions	121 x 50 x 23 mm
Material (housing)	ASA light grey
Terminals	4, push-in spring connection conductor cross section 0.25 – 0.75 mm <sup>2</sup>
Cable strain relief	Built in (for cable-Ø 3.1 to 5.2 mm)
Weight in gr	150

### Electrical data

Supply voltage	Lithium battery 3 V (CR2450N)
Battery life	Typ. 1.2 years (type: RENATA)
Inputs	2, programmable for safety edge (8.2 kOhm) or contact NC or NO
Thresholds (upper / lower switching value)	> 12.2 kOhm / < 5.9 kOhm
Available codes	65'536
Push button	for pairing
Dip-switches (8k2, NO-NC)	2, factory setting: ON, OFF
LED red	flashes when actuated

### In combination with an XRF receiver

Range in m	100 at optimum conditions
Reaction time	Typ. 15 ms
Communication	Bidirectional
Operating frequency	868.3 MHz
Radiated power	< 10 dbm / 10 mW
Low battery indication	Acoustic and optical (on the receiver)

### Approvals

EN 300 220, EN 301 489  
EN ISO 13849-1 (PLd, Cat.3, MTTFd 640)

### Ambient conditions

Protection category	IP65
Operating temperature	-20°C to +60°C
Storage temperature	-40°C to +80°C
Rel. air humidity	< 95%, non-condensing



### Box contents

Transmitter, 1 battery CR2450N, instruction manuals (supplementary sheets, in DE, EN, FR, IT, NL, SV), mounting material

### Dimensions

